

Gas Steaming Table



Model: GST3

- GST2 Two pan steaming table
- GST3 Three pan steaming table
- GST4 Four pan steaming table
- GST5 Five pan steaming table

STANDARD FEATURES

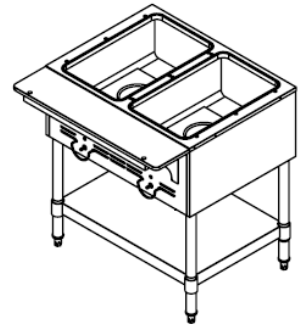
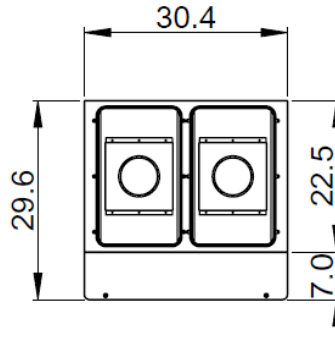
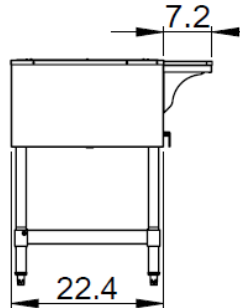
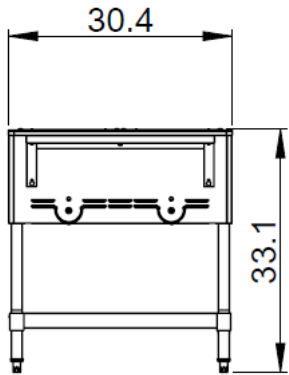
- Stainless steel housing
- 3100BTU jet burner
- Stainless steel legs
- Stainless steel sturdy under-shelf
- Standby S/S pilot for easy start
- Stainless steel leg
- Hi-medium-low control valve
- 7" wide full length polyethylene cutting board
- Outside insulation to maintain
- 8" deep well to fit 6" depth food pan
- 1/2" NPT rear gas connection
- Gas type should be specified when confirming order

Model	Description	Pans	Total BTU/HR	Packing Size(IN)	N/W (LB)	G/W (LB)
GST2	Gas steaming table	2	6,200	35x29x22	110	157
GST3	Gas steaming table	3	9,300	49x29x22	143	190
GST4	Gas steaming table	4	12,400	63x29x22	180	230
GST5	Gas steaming table	5	15,500	78x29x22	230	290

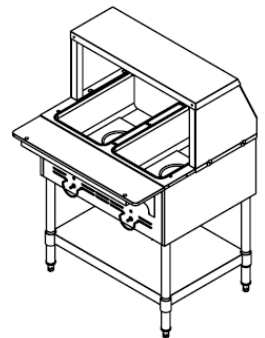
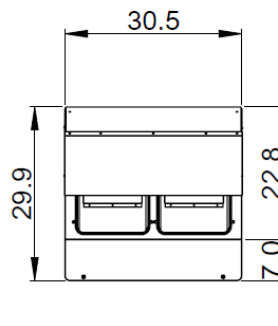
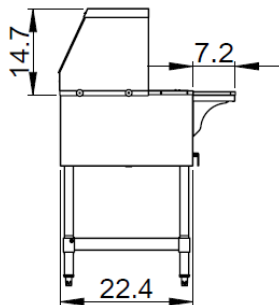
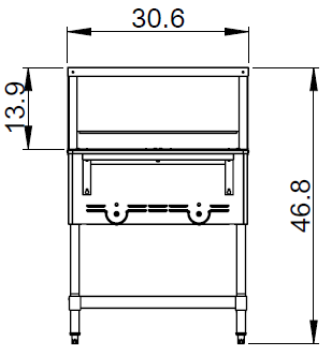
Gas Steaming Table

Plan View

GST2



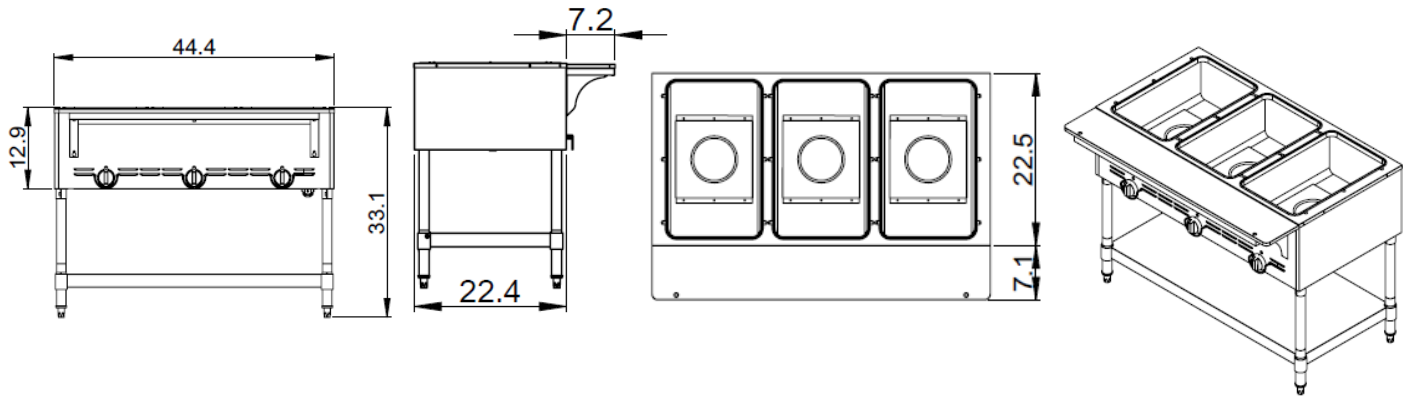
GST2 with optional sneeze guard



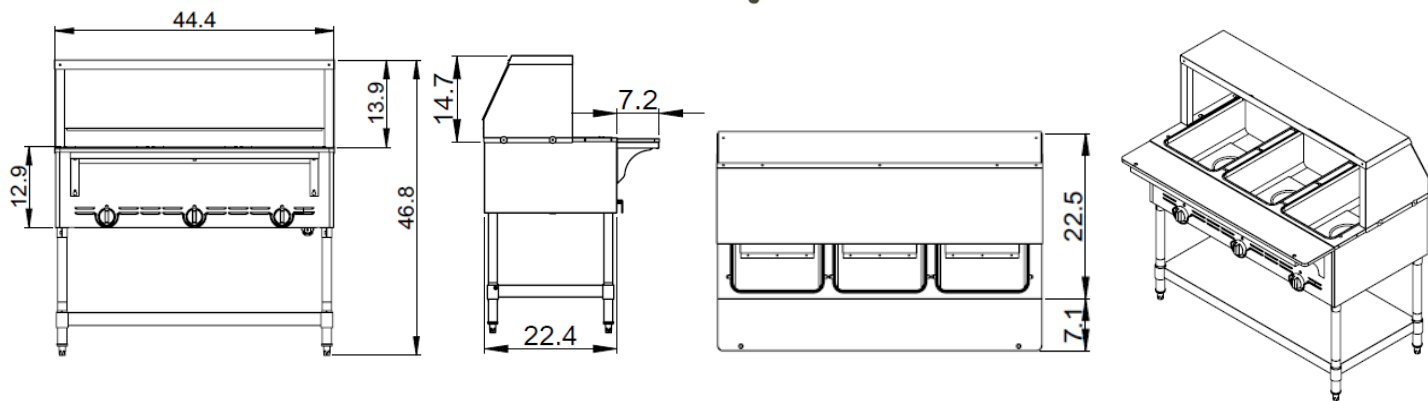
Gas Steaming Table

Plan View

GST3



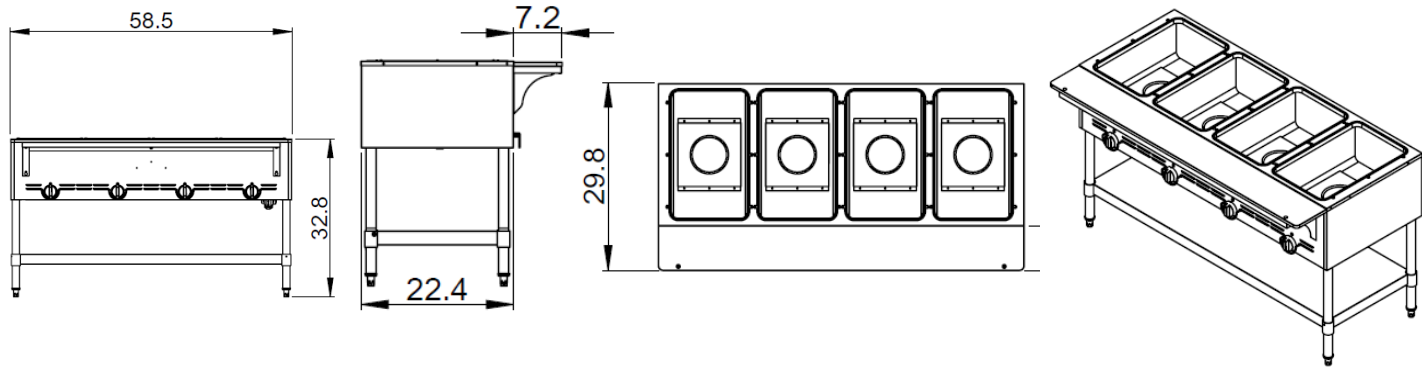
GST3 with optional sneeze guard



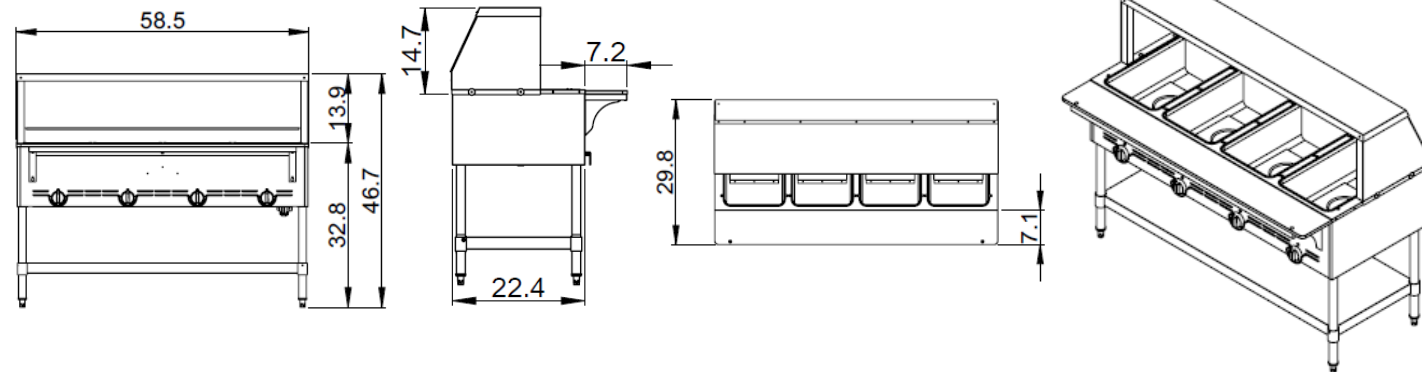
Gas Steaming Table

Plan View

GST4



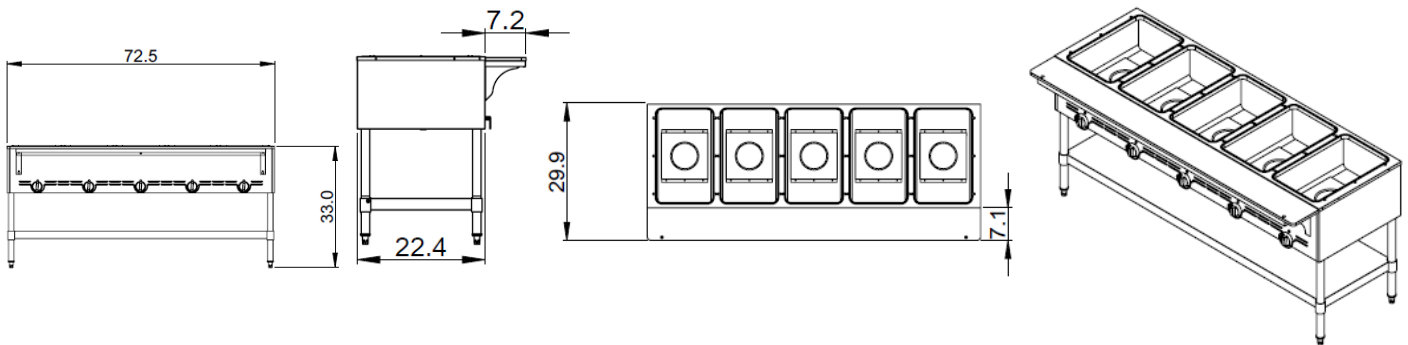
GST4 with optional sneeze guard



Gas Steaming Table

Plan View

GST5



GST5 with optional sneeze guard

