



# Datasheet

Project:	Quantity:
Model #:	Approval:

For Commercial Use Only

## Evercool 27" Mega Top Refrigerated Sandwich Prep Table with Cutting Board and Food Pans



### FEATURES

- Mega top model
- 430 stainless steel exterior and interior
- Refrigeration system keeps food at safe temperatures
- Self-closing doors with 90 degree stay-open feature
- Adjustable heavy-duty PVC coated shelf
- Includes Cutting boards and 304 stainless steel pans
- Recessed door handle
- Electronic control system
- Preinstalled heavy-duty casters with brakes
- Removable installation board
- Hydro-Carbon R290 refrigerant

This Evercool commercial salad prep table refrigerator is perfect for restaurants, delis, bakeries, or cafes. It keeps your food products at safe temperatures.

- cETLus Listed
  - ETL Sanitation Listed
- Certified to **NSF** Standard



**U**SR Brands is a US supplier of premium quality commercial cooking, refrigeration and food preparation equipment. Our aim is simple. Produce industry-leading commercial restaurant equipment at reasonable prices, and back it all up with an easy to understand, no nonsense warranty that people can count on.



# Datasheet

Project:	Quantity:
Model #:	Approval:

For Commercial Use Only

## TECHNICAL DATA

### DIMENSIONS

Exterior Dimensions	27"W x 34"D x 43.86"H
Interior Dimensions	23.02"W x 22.99"D x 25.87"H
Packaging Dimensions	30.31"W x 33.04"D x 47.24"H
Cutting Board Dimensions	27"W x 7.87"D
Working Height	35.25"
Net Volume	6.1 cu. ft.
Unit Weight	177 lb.
Shipping Weight	199 lb.

### ELECTRICAL

Voltage	115
Hertz	60
Phase	1
Amps	2.5
Plug Type	NEMA 5-15P
Power Cord Length	90"

### COOLING

Temperature Range	33°F to 40°F
Refrigerant	R290
Max. Ambient Temp	100°F
Defrosting	Automatic
Temperature Controller	Digital
Horsepower	1/3

### CONSTRUCTION

Top Unit Type	Mega
Exterior Material	430 Stainless Steel
Interior Material	430 Stainless Steel
Insulation Material	Foamed-in-Place Polyurethane
Shelf Size	(1) Qty: 17.09"W x 22.04"D
Shelf Load Capacity	100 lb.
Shelf Material	Coated Steel
Adjustable Shelf	Yes
Pan Capacity	(9) x 1/6, (3) x 1/9
Interior Light	No
Mobility Wheels/Casters	(4) Qty: 2 with brakes, 2 without

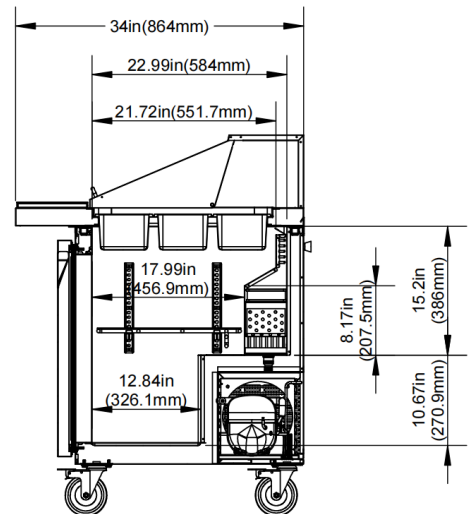
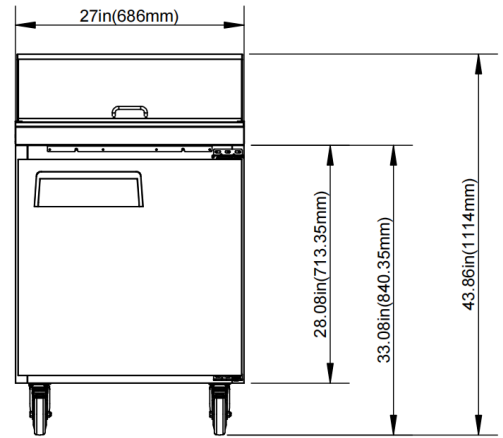
## TECHNICAL DRAWING

MODEL: EMP27

MFR ITEM #:



NEMA 5-15P



USR Brands, Inc.

Phone: 800-764-1172 | www.usrbrands.com | sales@usrbrands.com

Rev. 05-2026

Page 232