



Datasheet

Project:	Quantity:
Model #:	Approval:

For Commercial Use Only

Evercool 72" Mega Top Refrigerated Sandwich Prep Table with Cutting Board and Food Pans

FEATURES

- Mega top model
- 430 stainless steel exterior and interior
- Refrigeration system keeps food at safe temperatures
- Self-closing doors with 90 degree stay-open feature
- Adjustable heavy-duty PVC coated shelves
- Includes Cutting boards and 304 stainless steel pans
- Recessed door handle
- Electronic control system
- Preinstalled heavy-duty casters with brakes
- Removable installation board
- Hydro-Carbon R290 refrigerant

This Evercool commercial salad prep table refrigerator is perfect for restaurants, delis, bakeries, or cafes. It keeps your food products at safe temperatures.



- cETLus Listed
 - ETL Sanitation Listed
- Certified to NSF Standard



USR Brands is a US supplier of premium quality commercial cooking, refrigeration and food preparation equipment. Our aim is simple. Produce industry-leading commercial restaurant equipment at reasonable prices, and back it all up with an easy to understand, no nonsense warranty that people can count on.



Datasheet

Project:	Quantity:
Model #:	Approval:

For Commercial Use Only

TECHNICAL DATA

DIMENSIONS

Exterior Dimensions	71.5"W x 34"D x 43.86"H
Interior Dimensions	67.25"W x 22.99"D x 25.87"H
Packaging Dimensions	74.41"W x 33.04"D x 47.24"H
Cutting Board Dimensions	71.5"W x 7.87"D
Working Height	35.25"
Net Volume	19 cu. ft.
Unit Weight	298 lb.
Shipping Weight	342 lb.

ELECTRICAL

Voltage	115
Hertz	60
Phase	1
Amps	3.3
Plug Type	NEMA 5-15P
Power Cord Length	90"

COOLING

Temperature Range	33°F to 40°F
Refrigerant	R290
Max. Ambient Temp	100°F
Defrosting	Automatic
Temperature Controller	Digital
Horsepower	1/3

CONSTRUCTION

Top Unit Type	Mega
Exterior Material	430 Stainless Steel
Interior Material	430 Stainless Steel
Insulation Material	Foamed-in-Place Polyurethane
Shelf Size	(3) Qty: 21.46"W x 22.04"D
Shelf Load Capacity	100 lb.
Shelf Material	Coated Steel
Adjustable Shelf	Yes
Pan Capacity	(30) x 1/6
Interior Light	No
Mobility Wheels/Casters	(4) Qty: 2 with brakes, 2 without

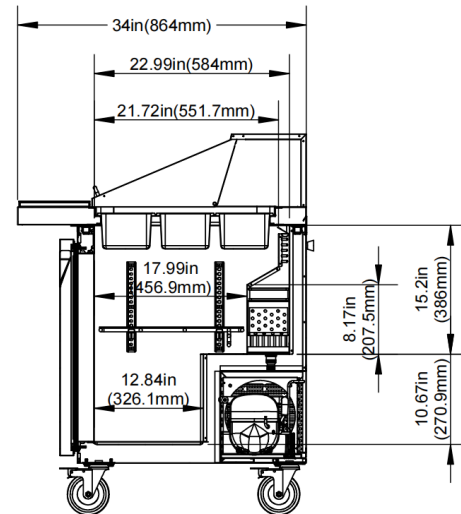
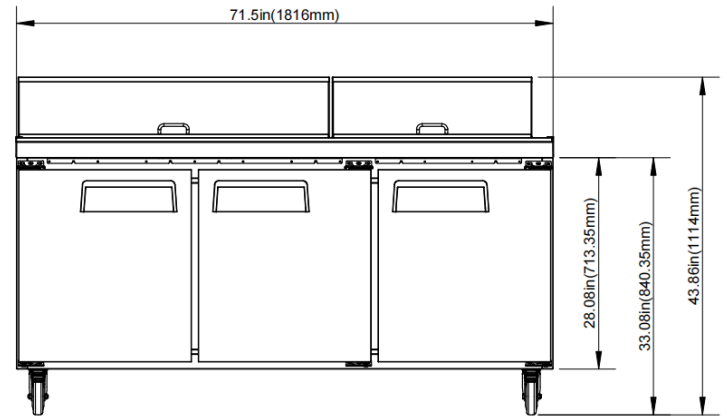
TECHNICAL DRAWING

MODEL: EMP72

MFR ITEM #:



NEMA 5-15P



USR Brands, Inc.

Phone: 800-764-1172 | www.usrbrands.com | sales@usrbrands.com

Rev. 05-2026

Page 254