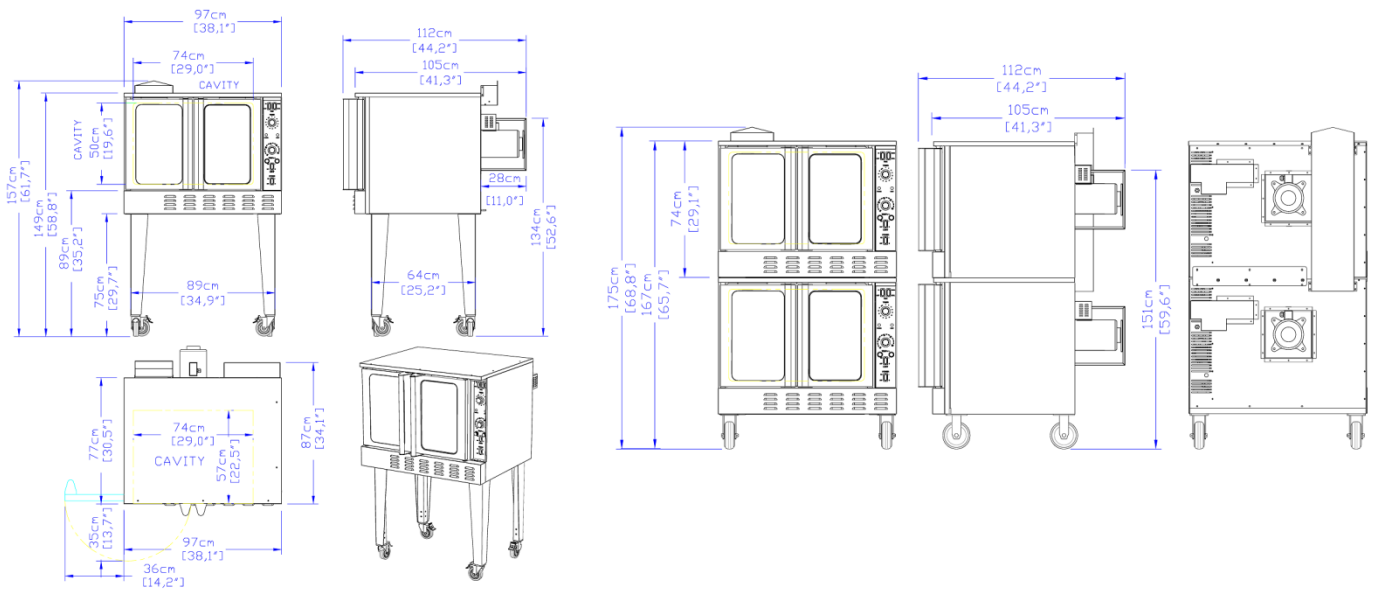


# Electric Convection Oven

## PRODUCT SPECIFICATIONS

- Independent doors with full view windows
- 2-speed, 1/2 hp fan motor (1725, 1140 rpm)
- Porcelain enamel oven interior
- 10 position interior rack guides
- 5 nickel plated oven racks
- Electronic ignition (Fenwal)
- Electronic thermostat & manual timer controls
- Temperature range: 150°F to 500°F (66°C to 260°C)
- Control panel opens downward for easy service
- Control panel located on right side - away from burners
- Two Halogen interior lights
- Exterior: Stainless steel front, sides, and top,
- Oven Ready light
- Forced “cool down” fan mode



Model	Power Type	Voltage	Total power	Product Dimensions			Net Wt.
				Width	Depth	Height	
SR-COE-208	Electric	208V	10KW	38"	44 1/2"	32 1/4"	369 lbs
SR-COE-240	Electric	240V	10KW	38"	44 1/2"	32 1/4"	369 lbs

- 3/4" NPT gas connection
- NG gas 4" W.C. ; LP gas 10"W.C.

• Certification:

